


WARNING MINI TRACK LANDSCAPE ATTACHMENT SAFETY

Any piece of equipment can be dangerous if not operated properly. **YOU** are responsible for the safe operation of this equipment. The operator must carefully read and follow any warnings, safety signs and instructions provided with or located on the equipment. Do not remove, defeat, deface or render inoperable any of the safety devices or warnings on this equipment. **IF** any safety devices or warnings have been removed, defeated, defaced, or rendered inoperable, **DO NOT USE THIS EQUIPMENT!!!**

 **WARNING:** This product can expose you to chemicals including Chromium from steel products which are known to the State of California to cause cancer and birth defects or other reproductive harm. For more information go to www.P65warnings.ca.gov

Caution: changing attachments creates multiple pinch points keep hands feet & other body parts clear. Always wear Eye & Hand Protection whenever operating this equipment.

Application: Use for grading loose soil and transporting sandbags, stones, hay bales and much more.

Dimensions:

Height: 16"

Length: 36"

Width: 49"

Weight*: 170 lbs

* It is extremely important to factor in the weight of this attachment when calculating the maximum weight capacity of the loader you are using it on. The maximum carrying capacity of a Ditch Witch SK350 is 350lbs, an SK 600 is 600lbs & an SK750 is 750lbs.

Warning: metal conducts electricity. Do Not use this Tractor attachment where it may come into contact with power lines or other electric circuits. Failure to comply to this warning will result in serious personal injury or death. Keep appropriate distances from High Voltage lines. Never use this Attachment as a ground for welding.

If the person receiving this handout will not be the user of the equipment, forward these instructions to the operator. **IF** there is any doubt as to the operation or safety of the equipment, **DO NOT USE!!! CALL A TOOL SHED IMMEDIATELY!!! FAILURE TO FOLLOW THESE INSTRUCTIONS COULD RESULT IN INJURY OR DEATH**

Page 2: Connection Instructions for the Ditch Witch model # SK350

Page 3: Connection Instructions for the Ditch Witch model #s SK600 & SK750

Connect Attachment

NOTICE: Use only Ditch Witch-approved attachments. Attachments can change the stability and operating characteristics of the unit.

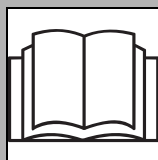
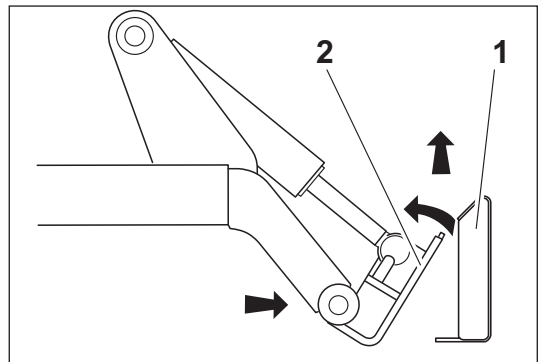
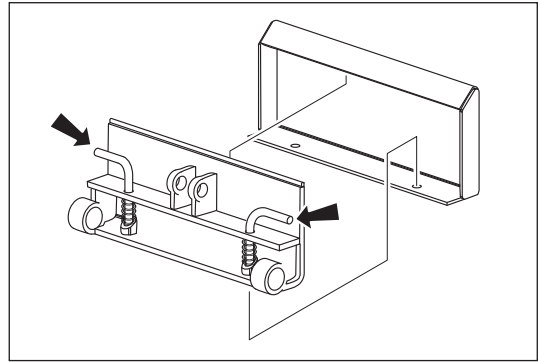
Attachment

IMPORTANT: Before connecting attachment to unit, ensure that mount and receiver plates are free of dirt and debris.


1. Position attachment on level surface with enough space behind it to accommodate unit.
2. Ensure that lock pin handles (shown) on mount plate are turned away from center of attachment.
3. Start engine.
4. Tilt mount plate (2) forward.
5. Position mount plate in the upper lip of the receiver plate (1) on attachment.
6. Raise lift arms while tilting back mount plate.

IMPORTANT: Attachment should be raised enough to clear the ground. Mount plate should be tilted back fully.

7. Turn ignition switch off and remove key.

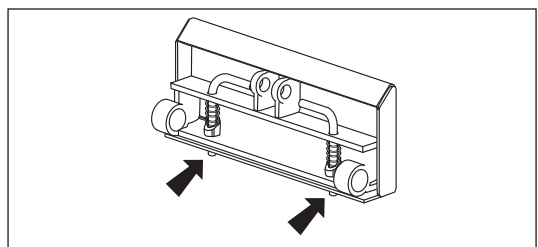


WARNING

Read operator's manual. Know how to use all controls before operating machine. When you see this sign  on the machine or in the manual, read it and use caution. Your safety is at stake.

To help avoid injury: Ensure proper connection by verifying that bottoms of lock pins are visible under attachment receiver plate (shown).

8. Rotate lock pin handles toward center of mount plate to secure attachment to lift plate.



Connect Attachment

NOTICE: Use only Ditch Witch®-approved attachments. Attachments can change the stability and operating characteristics of the machine. See attachment operation manual for instructions regarding proper operation of attachments.

Attachment

IMPORTANT: Before connecting attachment to machine, ensure that attachment (1) and receiver (2) plates are free of dirt and debris.

1. Ensure latch handles are down.
2. Position attachment on level surface with enough space behind it to accommodate machine.
3. Start engine.
4. Tilt attachment plate (1) forward.
5. Position attachment plate in the upper lip of the receiver plate (2) on attachment.
6. Raise lift arms while tilting back attachment plate to engage pins.
7. Ensure pins are engaged by rotating attachment down.

